

DESCRIPTION

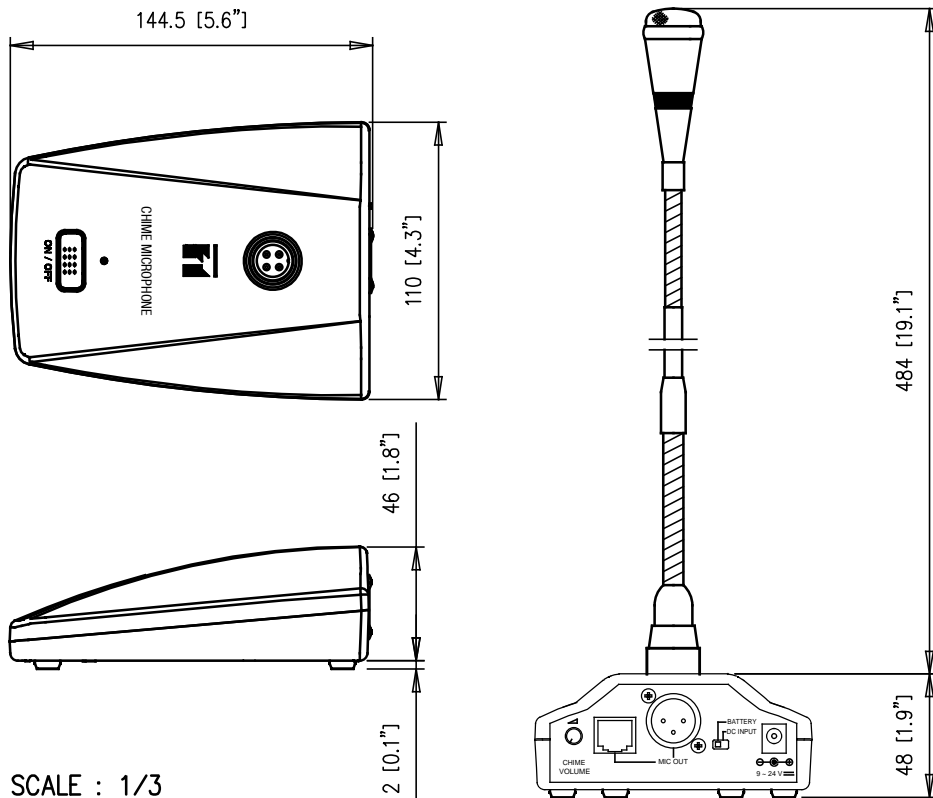
The EC-380-EB is a condenser microphone be equipped with a electrical chime and suitable use for paging applications. This product can be operated easily with four batteries or optional DC power source between 9 V to 24 V . The microphone's up and down 4 tones chime volume is adjustable.

SPECIFICATIONS

Power Source	6 VDC (4 X "AA" batteries) or DC power : 9 ~ 24 V
Current Consumption	13 mA when chime operate and 6 mA when microphone operate
Microphone element	Condenser microphone
Polar Pattern	Cardioid
Chime Tones	4-Tones Chime (UP / DOWN)
Impedance	600 Ω, Balanced
Sensitivity	Microphone : -41 dB ±3 dB (1 kHz 0 dB=1 V/Pa)
	Chime : -31 dB ±3 dB (maximum position)
Frequency Response Mic.	50 Hz ~ 18,000 Hz
Connector Output	XLR 3-32 Equivalent
	RJ45 : Audio Output, power supply and contact output
Operating Temperature	0 °C ~ +40 °C (32 °F ~ 104 °F)
Finish	Stand Mic : ABS Resin, Black, Paint
	Shaft :Copper alloy, Black, Paint
Dimensions	110 (W) x 145 (L) x 532 (H) mm (4.3" x 5.7" x 20.9")
Weight	558 g (exclude batteries)
Accessories	Windscreen..... 1, XLR Cable Stereo Phone Plug (7.5 m)..... 1

Note: Batteries and AC adapter are not supplied with the unit. Please purchase separately. Option adapter can use AD-246 AC adapter.

APPEARANCE



UNIT : mm [in] SCALE : 1/3